

EXHIBIT "J"

Mailbox Post Detail & Approved Mailbox

General Requirements

Mailbox posts must be constructed of rough Con-heart (construction heart) Redwood, except that the main 4 x 6 post *only* may be brown-tone pressure-treated wood. Fasteners shall be hot-dipped galvanized steel.

- The old post footing shall be removed to allow for the new footing in the same location.
- The main support post may be set in concrete, or attached to a metal post bracket fully encased in concrete using a Simpson Strong Tie CBSQ66 bracket, or similar.

Approved Mailbox

Pinnacle Locking Mailbox

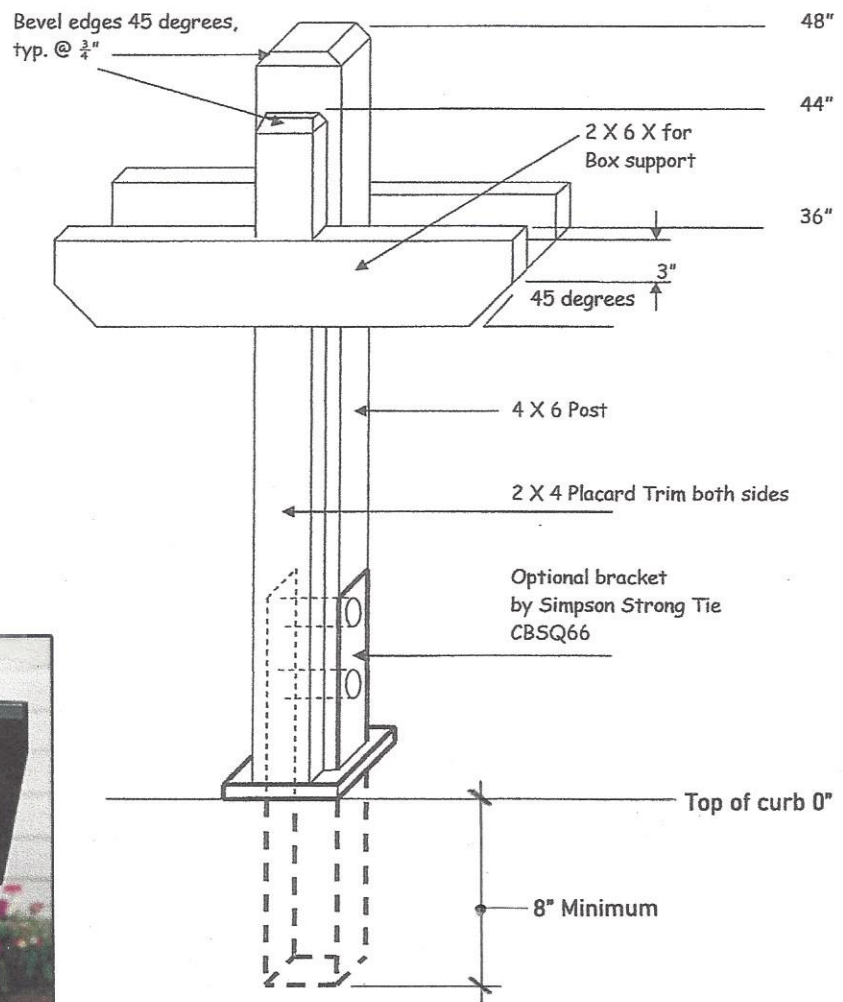
www.lockingmailbox.com

Standard, Regular Duty #1022

Standard, Heavy Duty #1025

Size: 11"W x 11"H x 23"D

Color: Black



MAILBOX POST DETAIL